



**青岛华鼎进出口有限公司**

**Qingdao Huading Imp. & Exp. Co.,Ltd.**

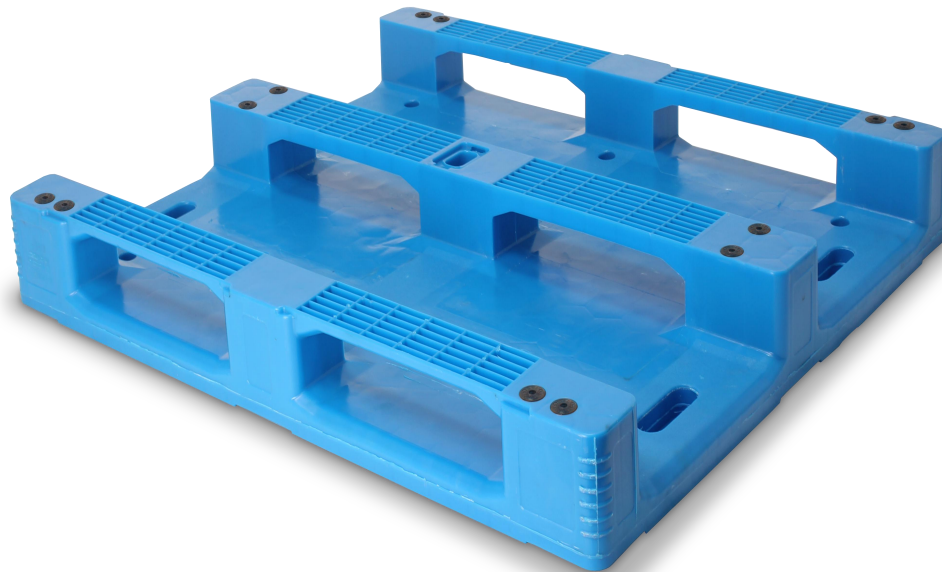
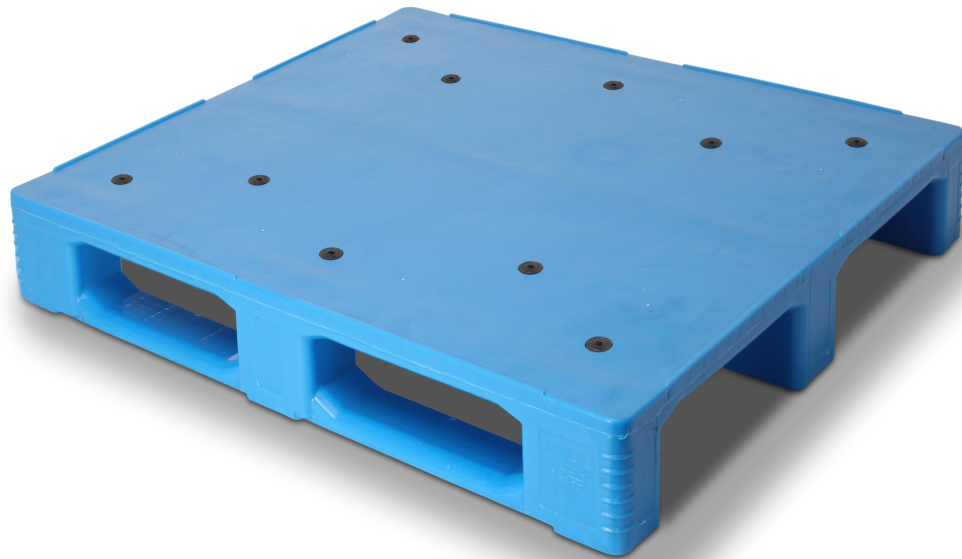
Room 605,Building 3,(West) No.178-2,Haier Road,Qingdao,Shandong,China

TEL:0086-532-88588179 / 0086-532-88912335

---

## **HD3RCWS12100 INTRODUCTION**

### **1. Product Figure.**





# 青岛华鼎进出口有限公司

## Qingdao Huading Imp. & Exp. Co.,Ltd.

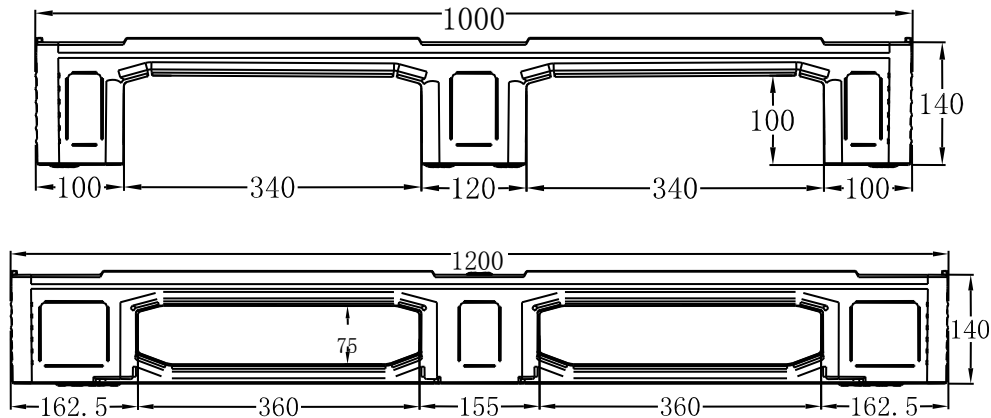
Room 605, Building 3, (West) No.178-2, Haier Road, Qingdao, Shandong, China

TEL:0086-532-88588179 / 0086-532-88912335

### 2、 Product Data Sheet

Outside Dimension	1200mm×1000mm×140mm		
Load Capacity	Static load: 6T	Dynamic load: 1.5T	Racking load: 1T
Weight	20.8±0.5kg (steel tubes inside on the flat deck)		
Material	HDPE		
Temperature	(+40~-25) °C		
Color	Customer requested		
Logo	Silk printing		
Structure	Deck:	Falt and closed deck	
	bottom:	Falt and closed deck	
	Steel tubes :	flat:	5 pcs Steel tubes inside
	Prodcution:	Injection made	

### 3. Specification



### 4、 Product Features:

1)It is suitable for medicine, food industry, stacking machine, conveyor, forklift, pallet truck operations, the use of four-way into the fork type, Sichuan word structure, flat design, easy cleaning.

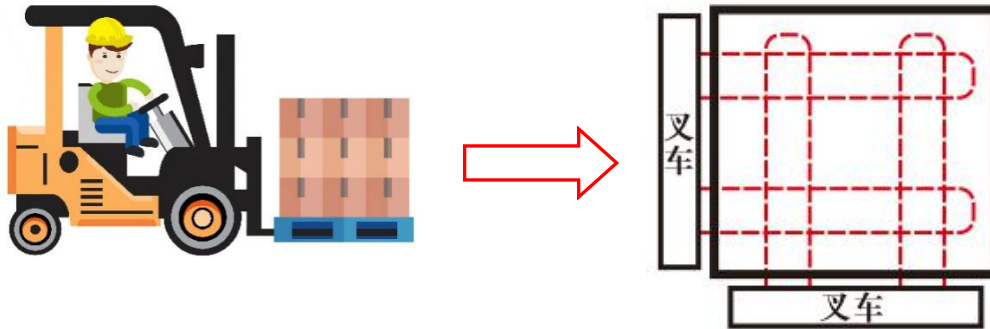


# 青岛华鼎进出口有限公司

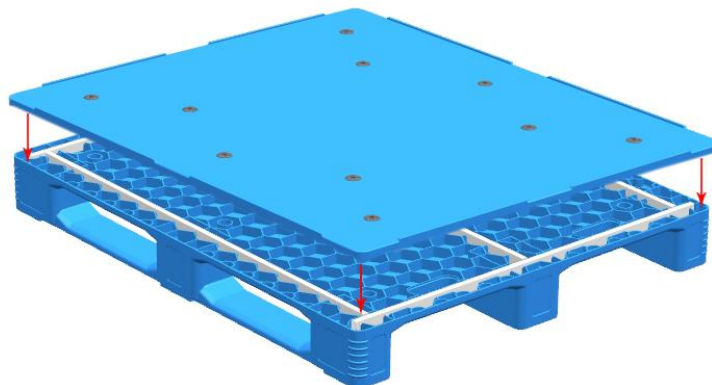
## Qingdao Huading Imp. & Exp. Co.,Ltd.

Room 605, Building 3, (West) No.178-2, Haier Road, Qingdao, Shandong, China

TEL:0086-532-88588179 / 0086-532-88912335



2)The use of surface and bottom welding as one of the molding method to avoid the foot off, corrosion-resistant products, inserts firmly to ensure that the process will not fall off





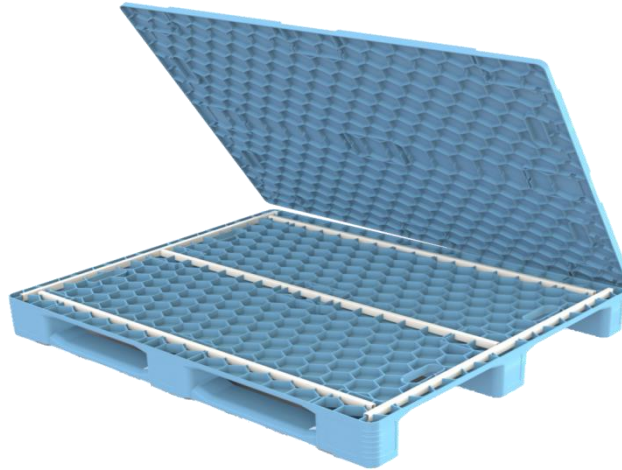
# 青岛华鼎进出口有限公司

## Qingdao Huading Imp. & Exp. Co.,Ltd.

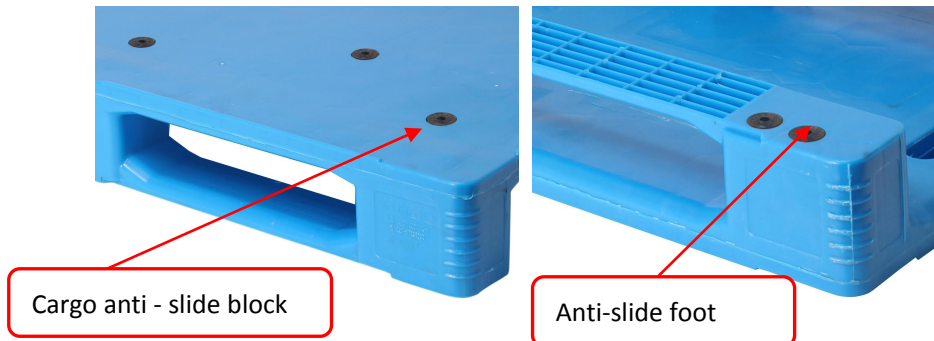
Room 605, Building 3, (West) No.178-2, Haier Road, Qingdao, Shandong, China

TEL:0086-532-88588179 / 0086-532-88912335

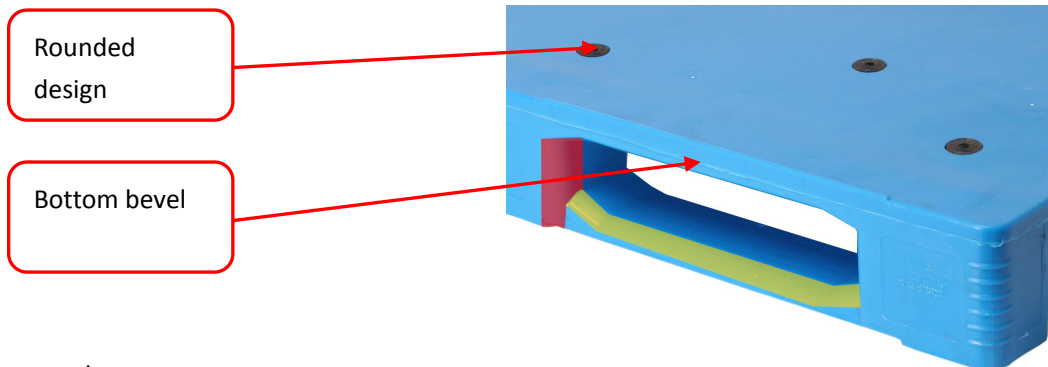
3) Five steel tubes are placed on the face of the pallet, and the steel tubes are supported at all four bays to enhance the bearing capacity.



4) Products face and bottom are designed to install anti-skid block, improve product safety.



1) Product fork hole on both sides of the fillet, the bottom of the angle, reducing forklift collision and the fork claw entry, easy to forklift collision position increased wall thickness, reduce the



damage rate.



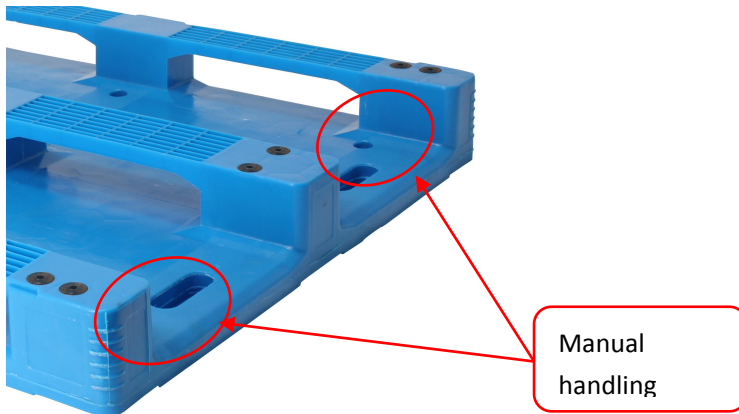
# 青岛华鼎进出口有限公司

## Qingdao Huading Imp. & Exp. Co.,Ltd.

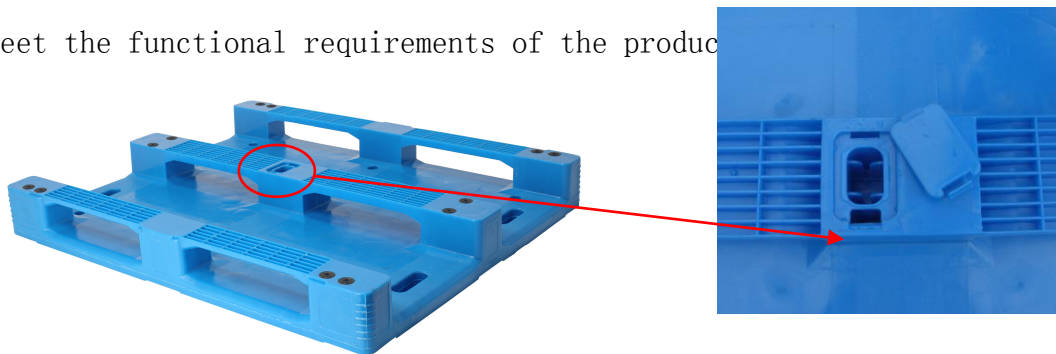
Room 605, Building 3, (West) No.178-2, Haier Road, Qingdao, Shandong, China

TEL:0086-532-88588179 / 0086-532-88912335

2) Pallet user-friendly design, the back of the face there are four artificial grasping mouth, easy manual operation



1) The bottom of the product to set up RFID chip slot at the center to meet the functional requirements of the product





# 青岛华鼎进出口有限公司

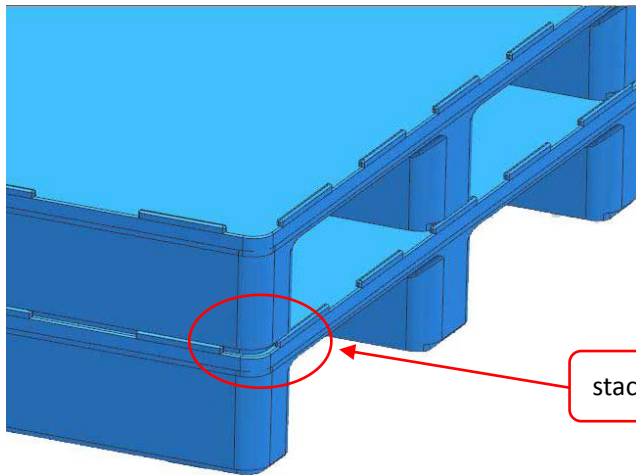
## Qingdao Huading Imp. & Exp. Co.,Ltd.

Room 605, Building 3, (West) No.178-2, Haier Road, Qingdao, Shandong, China

TEL:0086-532-88588179 / 0086-532-88912335

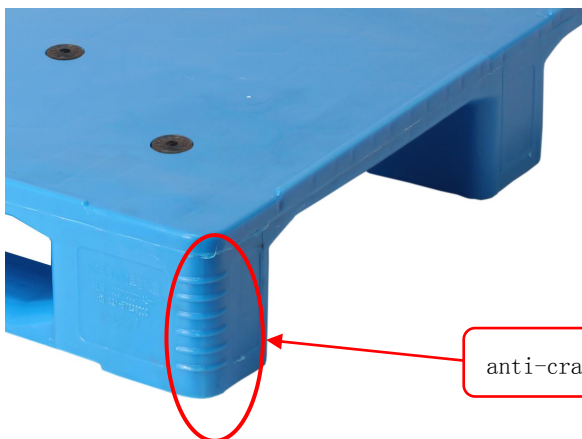


The groove of the pallet leg is tightly integrated with the edge of the pallet panel.



stack

- 1) Corner anti-crash products designed to ensure that the corner drop test performance requirements, but also play a fixed role in the tray wrapping film.



anti-crash

## **5、 Product quality standards:**

### 1) Outlook

Pallet surface smooth, no flash, no impact on the use of cracks and deformation, the edge of the parts without burr, gate formation.

### 2) Color

A single pallet no obvious color, the same batch of color products are basically the same.